

## UL 705, UL 762, and NFPA 96 Requirements

### UL 705

Direct and belt-drive centrifugal upblast and downblast ventilators are UL Listed Power Ventilators, Standard 705 when purchased complete with specified Dayton motor and drives and for general ventilation.

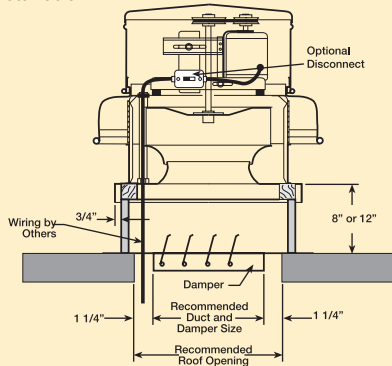
### UL 762

10½" through 36½" direct and belt-drive centrifugal upblast ventilators only are UL Listed Restaurant Exhaust Appliances (YZHW), Standard 762 when purchased complete with specified Dayton motor and drive.

### NFPA 96

UL 762 ventilators should be installed with required accessories to meet the requirements of NFPA 96, Edition 1994, Standard of Ventilation Control and Fire Protection of Commercial Cooking Operations, as well as local codes.

#### UL 705 Installation



#### NFPA 96 Installation

